

# Installation Guide

## Pressure Control

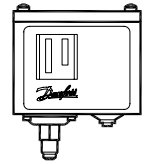
### Types KP 1, KP 1A, KP 5, KP 5A with gold plated contacts

060R9504

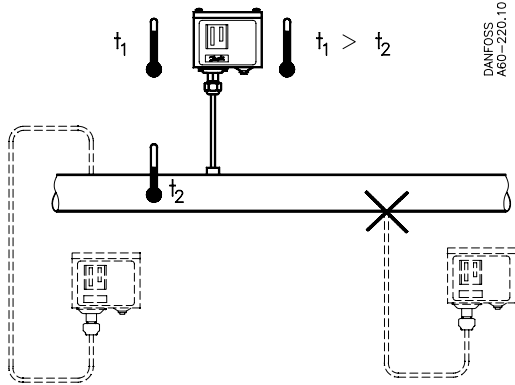
060R9504

#### Refrigerants

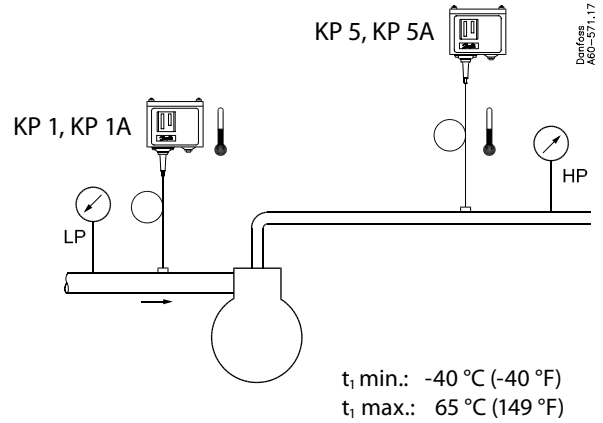
**KP 1, KP 5:** HCFC and non-flammable HFC  
**KP 1A, KP 5A:** R717, HCFC and non-flammable HFC



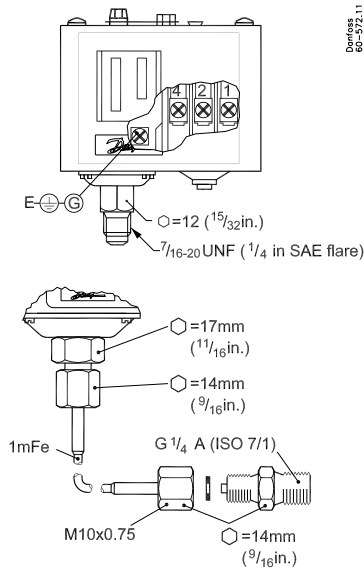
#### Mounting requirements



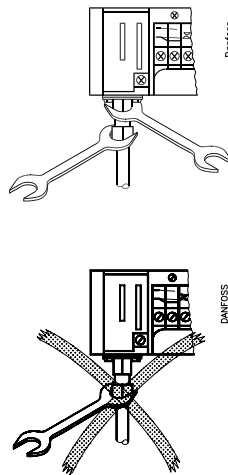
#### Ambient temperatures



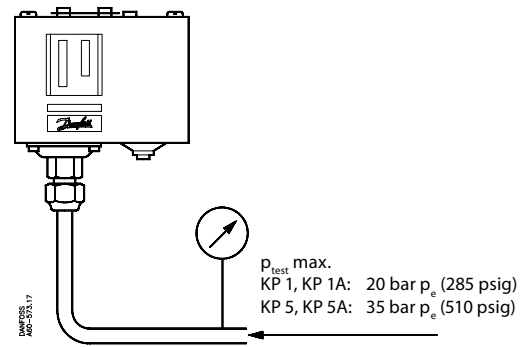
#### Connections



#### Mounting

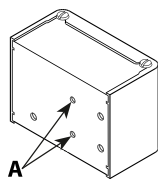


#### Test pressure ( $P_{test}$ )

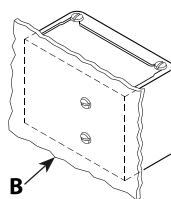


Type	Regulation range	PS/MWP
KP 1	-0.2 – 7.5 bar	17 bar / 245 psig
KP 1 reset	-0.9 – 7 bar	17 bar / 245 psig
KP 5	8 – 32 bar	35 bar / 510 psig
KP 5 reset	8 – 32 bar	35 bar / 510 psig

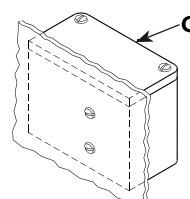
#### Enclosure



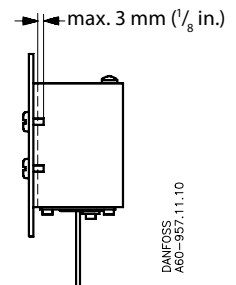
**A:** M4 (8 – 32 UNC)



**B:** Enclosure IP30 (EN 60529)



**C:** Enclosure IP44 (EN 60529)

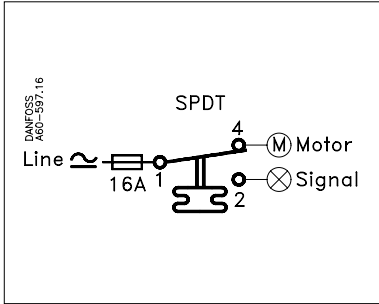




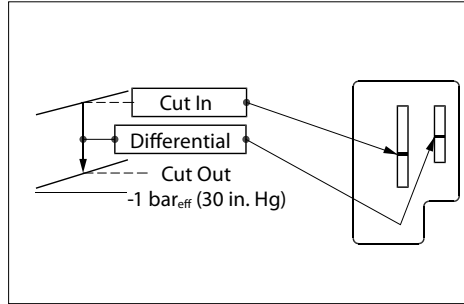
**CAUTION:**

Disconnect power supply before wiring connections are made or service to avoid possible electrical shock or damage to equipment. Do never touch live parts with your fingers or with any tool.

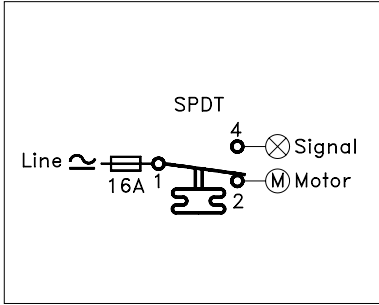
Contact 1-4 opens on pressure drop



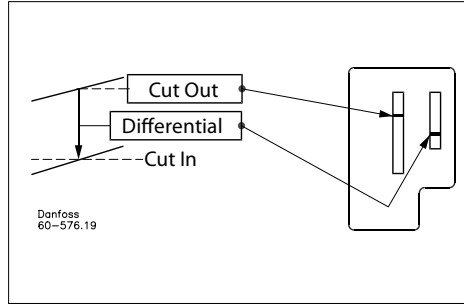
KP 1, KP 1A



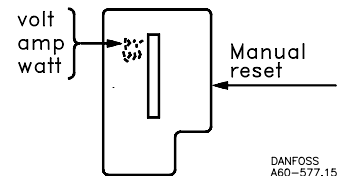
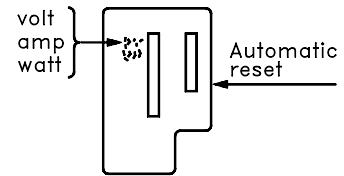
Contact 1-2 opens on pressure rise



KP 5, KP 5A



**Setting**



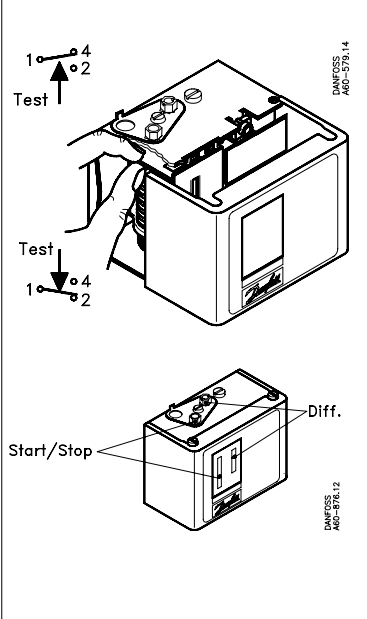
DANFOSS A60-577.15

**Contact load**

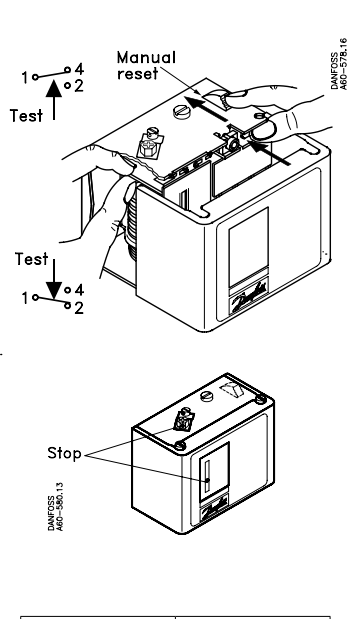
<b>Regulation</b>	Max.	30 mA / 30 V d.c.
	Min.	1 mA / 5 V d.c.
<b>Alarm</b> (Au surface is burnt away)	AC1:	10 A / 400 V
	AC3:	6 A / 400 V
	AC15:	4 A / 400 V
	DC13:	12 W / 220 V

**Manual trip function**

**Automatic reset**



**Manual reset**



Type	Differential
KP 1, KP 1A	0.7 bar (10 psi)
KP 5, KP 5A	3 bar (43 psi)

**Note:**  
use FINGERS ONLY!  
(Do NOT use screwdriver)

**Adjustment**

**Range**

- ⊕ Increase 360°
- ⊖ Decrease 360°

KP 1, KP 1A: 0.7 bar (10 psi)/rev.  
KP 5, KP 5A: 2.3 bar (33 psi)/rev.

**Differential**

360° ⊖ ⊕

KP 1, KP 1A: 0.2 bar (3 psi)  
KP 5, KP 5A: 0.3 bar (4 psi)

