

Product Info

DRMON-1

Introduction



DRMON-1 is a magnetic contact switch that provides a signal to your Danfoss environment control system to ensure that the doors on refrigerated walk-in boxes are properly closed when not in use. The DRMON-1 is typically set to alarm in the closed position, indicating that a door has been left open.

The DRMON-1 is compatible with all Danfoss AK255 controllers as well as legacy controllers (AKC55, NC-25).

Specifications

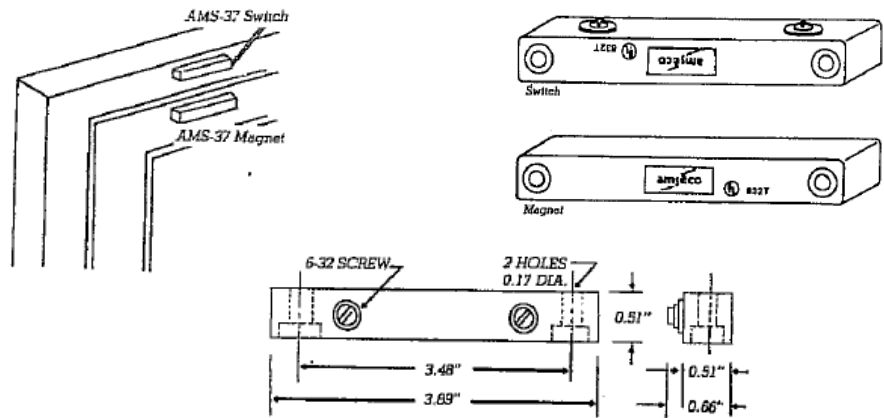
Contact Rating	Contact Type	Max Carry Current	Max Switching Current	Breakdown Voltage	Operating Gap	Mounting Method	Operating Temp. Range
120VAC 30VA	N.O.	2.0A	0.5A	250VDC	2" Max	Screws	-20 to 95C

All trademarks in this material are the property of the respective companies. Danfoss and Danfoss logotype are trademarks of Danfoss A/S. All rights reserved.



Installation and Inspection

Typically, the DRMON-1 is mounted so that the door cannot be opened more than 2 inches (50.8 mm) without initiating an alarm. Install contacts as shown in the installation diagram.



Ordering



www.danfoss.us

Danfoss can accept no responsibility for possible errors in catalogues, brochures and other printed material. Danfoss reserves the right to alter its products without notice. This also applies to products already on order provided that such alterations can be made without subsequential changes being necessary in specifications already agreed. All trademarks in this material are property of the respective companies. Danfoss and the Danfoss logotype are trademarks of Danfoss A/S. All rights reserved.