

Product Info

080Z2183

Introduction



The 080Z2183 is a duct mounted temperature sensor that is used with the 080Z2180, 080Z281, or 080Z2182 thermostat. It is used to verify the operation and output efficiency of the heating and cooling stages. The 080Z2183 uses a thermistor sensor in a galvanized steel enclosure and is usually mounted in the supply or return ducts of an HVAC system.

The 080Z2183 is compatible with all Danfoss AK255 controllers that use the 080Z2180, 080Z2181 or 080Z2182 Smart-Stat.

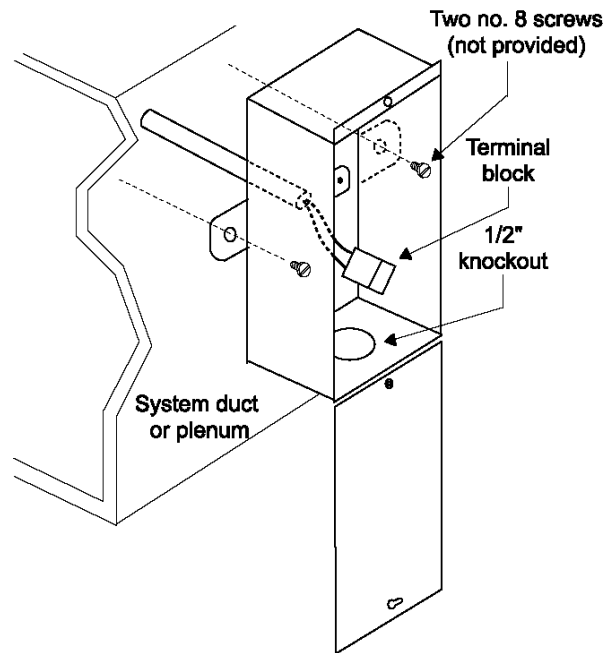
Specifications

Operating environment: Ambient temperature: -40°F to 250°F



Installation and Inspection

The 080Z2183 should be mounted in a location where it will sample the average temperature in a duct. Secure the 080Z2183 to the duct or plenum with two #8 self-tapping sheet metal screws.



Ordering

	Danfoss Inc. ELECTRONIC DIVISION Baltimore, MD
Part #: 080Z2183	
Distech discharge air sensor	

www.danfoss.us

Danfoss can accept no responsibility for possible errors in catalogues, brochures and other printed material. Danfoss reserves the right to alter its products without notice. This also applies to products already on order provided that such alterations can be made without subsequential changes being necessary in specifications already agreed. All trademarks in this material are property of the respective companies. Danfoss and the Danfoss logotype are trademarks of Danfoss A/S. All rights reserved.