

# Installation Guide

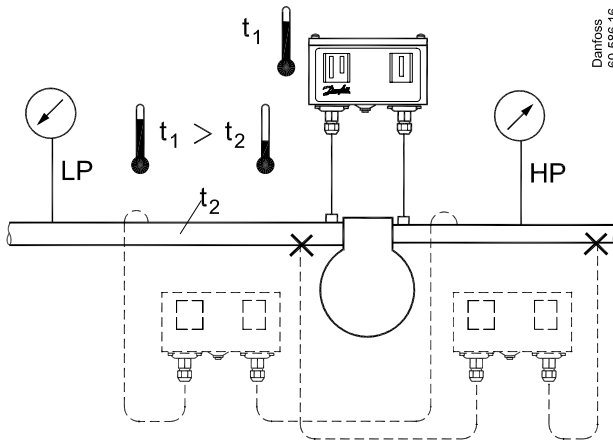
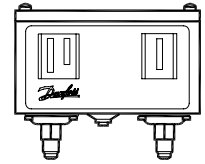
## Pressure Control

### Type KP 15 with goldplated contacts

060R9505

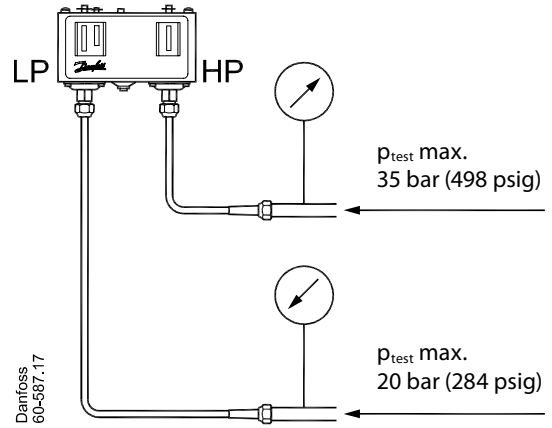
060R9505

**Refrigerants**  
**HCFC and non-flammable HFC**

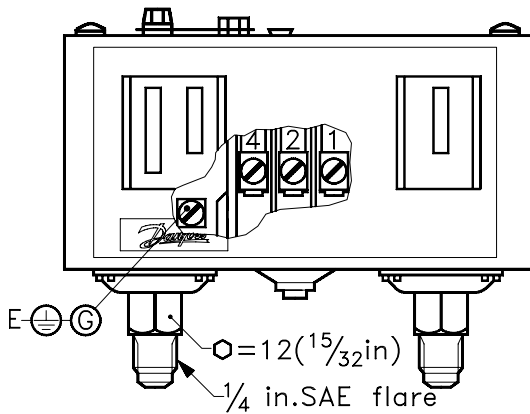


Danfoss  
60-586.16

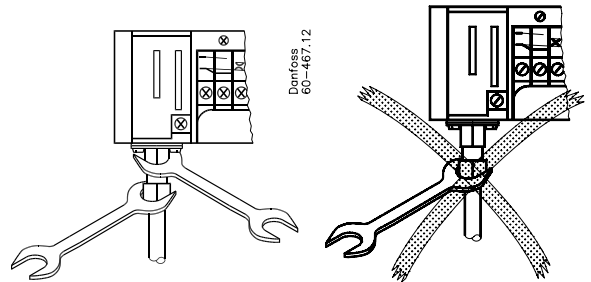
$t_1$  min. KP 15:  $-40\text{ }^{\circ}\text{C}$  ( $-40\text{ }^{\circ}\text{F}$ )  
 $t_1$  max. KP 15:  $65\text{ }^{\circ}\text{C}$  ( $149\text{ }^{\circ}\text{F}$ )



Danfoss  
60-587.17

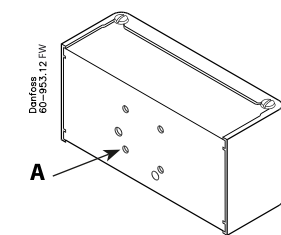


DANFOSS  
A60-588.19

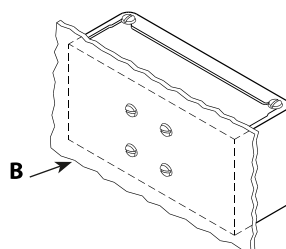


Danfoss  
60-467.12

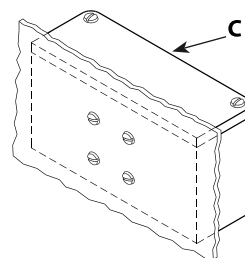
DANFOSS  
A60-468.12



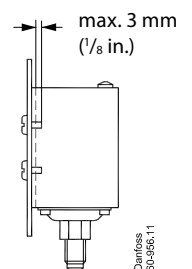
**A:** 8 - 32 UNC (M4)



**B:** Enclosure IP30  
(EN 60529)



**C:** Enclosure IP44  
(EN 60529)



Danfoss  
60-956.11

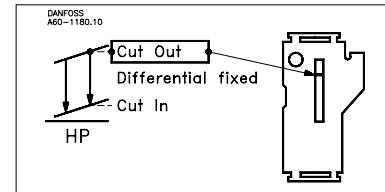
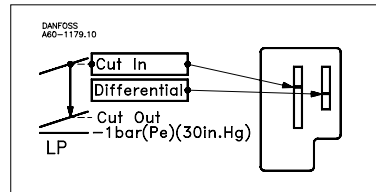
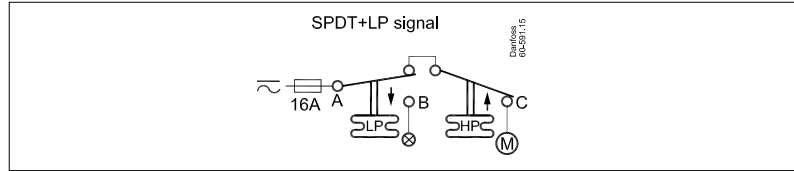


**CAUTION:**

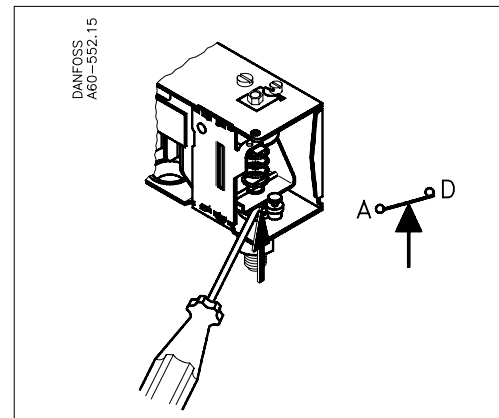
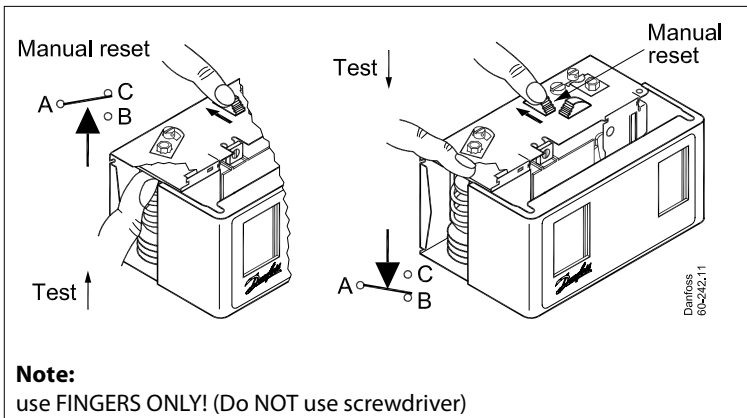
Disconnect power supply before wiring connections are made or service to avoid possible electrical shock or damage to equipment. Do never touch live parts with your fingers or with any tool.

**Kontaktbelastning/Contact load**  
**Kontaktbelastung/Charge de contact**

<b>Regulering</b> <b>Regulation</b> <b>Regelung</b> <b>Régulation</b>	Max.: 30 mA/30 V d.c. Min.: 1 mA/ 5 V d.c.
<b>Alarm</b> <b>Alarme</b> <b>(Au surface is burnt away)</b>	AC1: 10 A, 400 V AC3: 6 A, 400 V AC15: 4 A, 400 V DC13: 12 W, 220 V



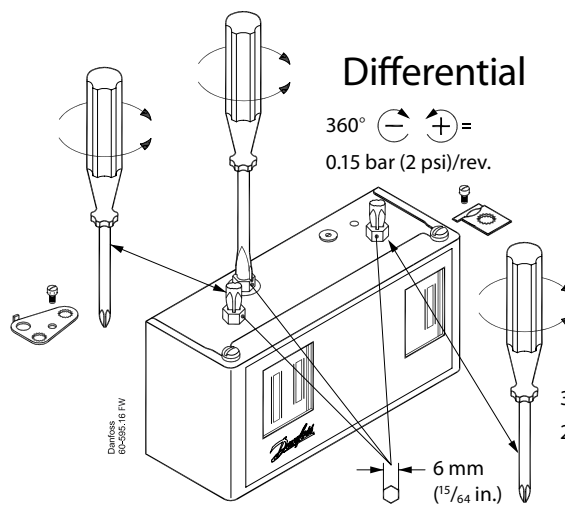
**Manual trip function**



**LP**  
 $360^\circ \oplus \ominus =$   
 0.7 bar (10 psi)/rev.

**Differential**  
 $360^\circ \ominus \oplus =$   
 0.15 bar (2 psi)/rev.

**HP**  
 $360^\circ \oplus \ominus =$   
 2.3 bar (33.5 psi)/rev.



Type/Typ	Område/Range/Bereich/Plage	Tilladeligt driftstryk/ Max. working pressure/ Max. Betriebsüberdruck/ Pres. de service max	
KP 15	LP: -0.2 – 7.5 bar	17 bar	245 psig
	HP: 8 – 32 bar	32 bar	465 psig
KP 15 Reset	LP: -0.2 – 7.5 bar	17 bar	245 psig
	HP: 8 – 32 bar	32 bar	465 psig