

Installation Guide

Differential Pressure Control

Types MP 54, MP 55, MP 55A

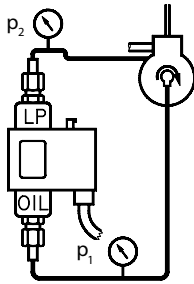
060R9513

060R9513

Refrigerants

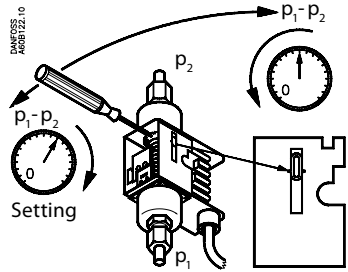
MP 54, MP 55: HCFC and non-flammable HFC

MP 55A: R 717, HCFC and non-flammable HFC



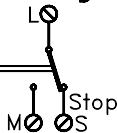
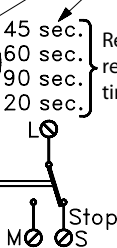
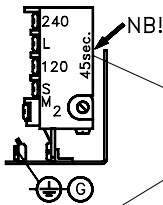
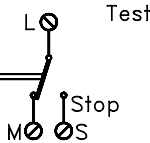
DANFOSS
A60B124.10

$p_1 - p_2 = \text{oil pressure}$

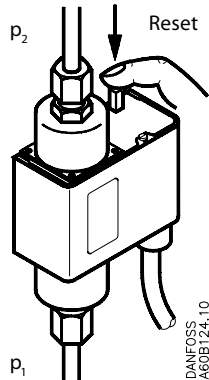


MP 55 / MP 55A

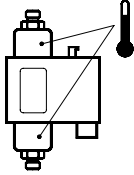
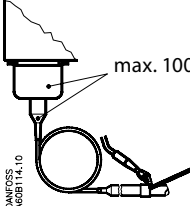
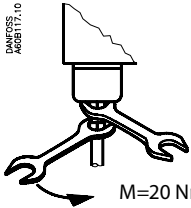
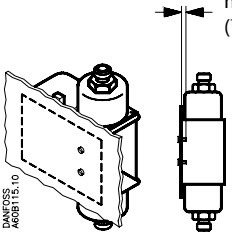
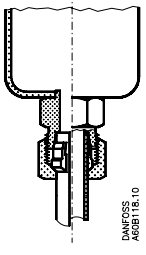
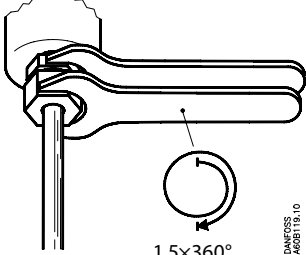
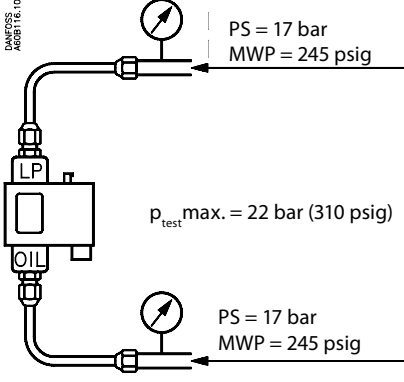
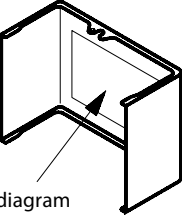
DANFOSS
A60B124.10/11W



Stop
2 min → reset



DANFOSS
A60B124.10

 <p>max. 100 °C (212 °F)</p> <p>DANFOSS AGB113.11</p>	 <p>max. 100 °C (212 °F)</p> <p>Silfoss 15 (15% Ag)</p> <p>DANFOSS AGB114.10</p>
 <p>DANFOSS AGB117.10</p> <p>M=20 Nm 15.5 ft - lbs</p>	 <p>max. 3 mm (1/8 in.)</p> <p>DANFOSS AGB115.10</p>
 <p>DANFOSS AGB118.10</p>	 <p>1.5x360°</p> <p>DANFOSS AGB119.10</p>
 <p>DANFOSS AGB116.10</p> <p>PS = 17 bar MWP = 245 psig</p> <p>p_{test} max. = 22 bar (310 psig)</p> <p>LP</p> <p>OIL</p> <p>PS = 17 bar MWP = 245 psig</p>	 <p>DANFOSS AGB120.10</p> <p>Wiring diagram</p>