



REFRIGERATION AND
AIR CONDITIONING

Instructions

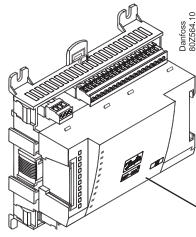
Stepper output module AK-XM 208C



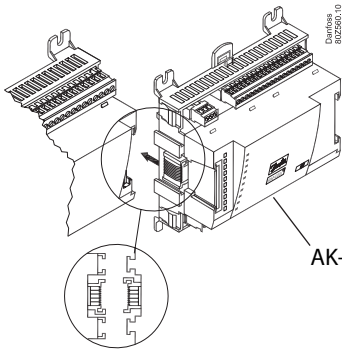
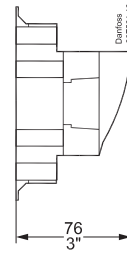
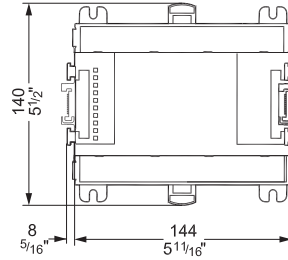
080R9299



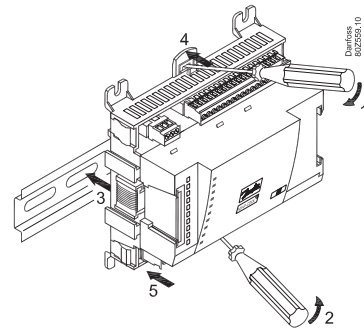
RI8P S202



080Z0023



AK-XM 208C



CE

$-20^{\circ} < t_{amb} < 55^{\circ}C$
 $-0^{\circ}F < t_{amb} < 130^{\circ}F$
0 - 95% RH, non condensing
IP10 / VBG4

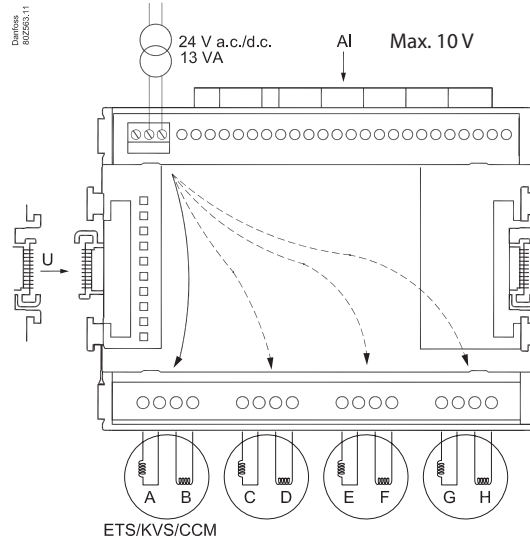


Warning

Ensure power is
disconnected before
adding or removing
Modules

4 x stepper valve output
8 x AI

Dedicated
power supply



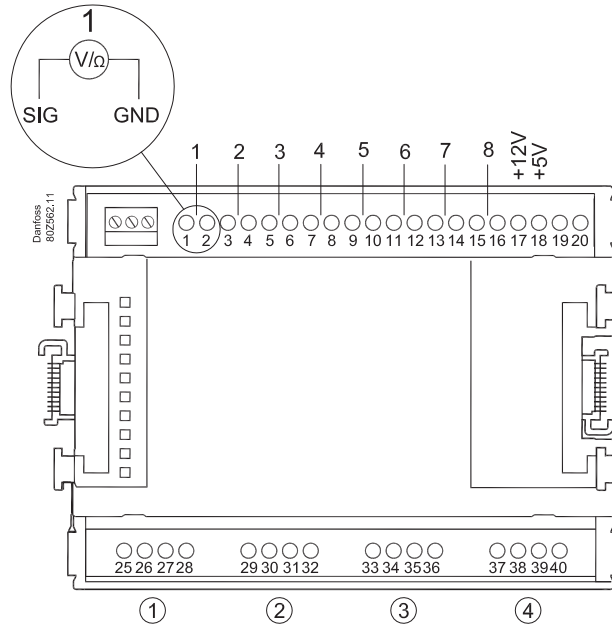
L = max. 30 m

Output:

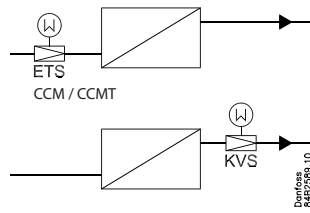
24 V d.c.

$I_{max} = 500 \text{ m A / coil}$

Point

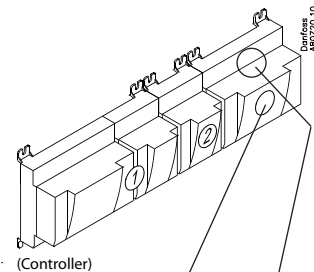


Terminal 17: 12V
 Terminal 18: 5V
 Terminal 19,20: ⚡

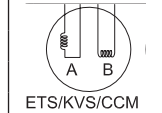


Step / Terminal	1	25	26	27	28
	2	29	30	31	32
	3	33	34	35	36
	4	37	38	39	40
ETS		White	Black	Red	Green
CCM / CCMT					
KVS 15		White	Black	Green	Red
KVS 42-54					

	Signal	Signal type
S (sensor) Pt 1000 ohm/0°C 	S1 S2 Saux1 Saux2 SSA SdA	Pt 1000
P (pressure) AKS 32R AKS 2050 AKS 32 	POA POB PcA PcB Paux	AKS 32R AKS 2050 -1 - xx bar AKS 32 -1 - zz bar
U (voltage) 	...	0 - 5V 0 - 10V
On/Off 	Ext. Main switch Day/Night Door	Active at: Closed / Open



Signal	Signal type / Active at	Module	Point	Terminal
			1 (AI 1)	1 - 2
			2 (AI 2)	3 - 4
			3 (AI 3)	5 - 6
			4 (AI 4)	7 - 8
			5 (AI 5)	9 - 10
			6 (AI 6)	11 - 12
			7 (AI 7)	13 - 14
			8 (AI 8)	15 - 16
			9 (Step 1)	25 - 28
			10 (Step 2)	29 - 32
			11 (Step 3)	33 - 36
			12 (Step 4)	37 - 40



The Product contains electrical components
 And may not be disposed together with domestic waste.
 Equipment must be separate collected with Electrical and Electronic waste. According to Local and currently valid legislation.