



REFRIGERATION AND
AIR CONDITIONING

用户说明书

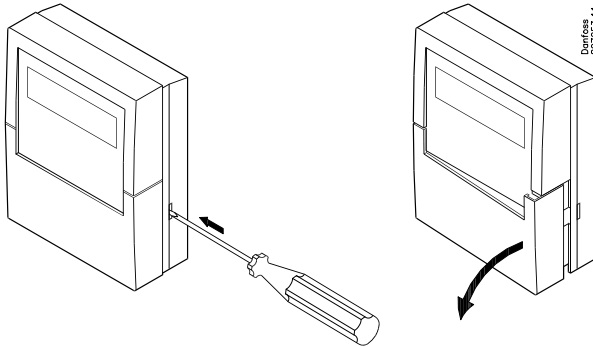
AK-SM 350



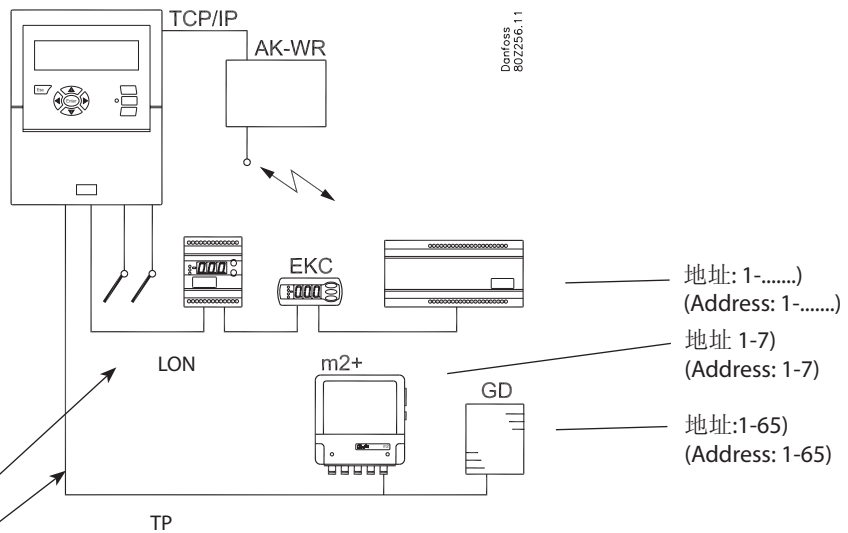
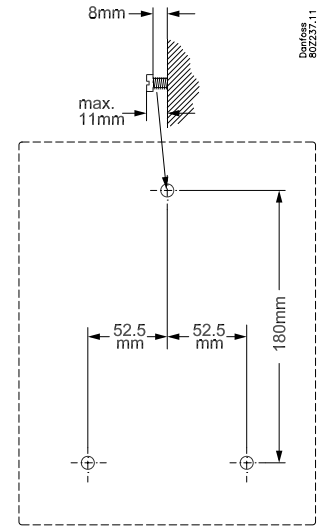
080R9287



RI8LC22P

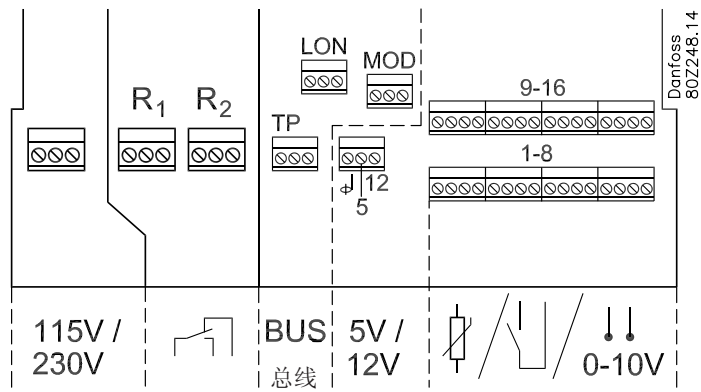


t 环境 = 0 - +55°C, 非冷凝
t_{amb} = 0 - +55°C, non condensing



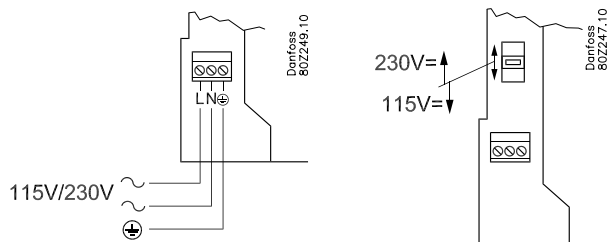
数据通信线在实际安装中必须满足文档 ” ADAP-KOOL®制冷控制间的数据通信” 中提到的要求。说明书编号 = RC8AC.

The actual installation of the data communication cable must comply with the requirements mentioned in the document "Data communication between ADAP-KOOL® Refrigeration controls". Literature sheet number = RC8AC.

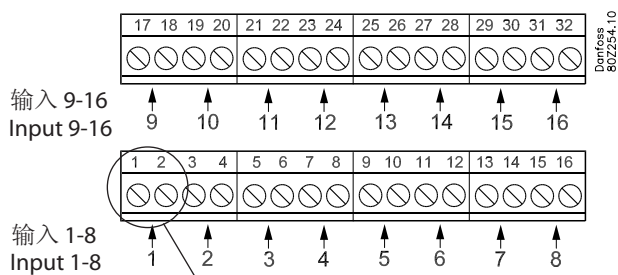


① ② ④ ③

①

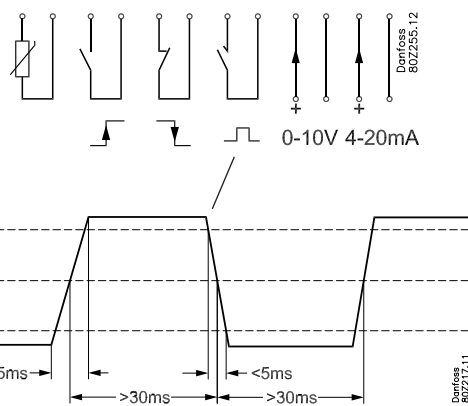
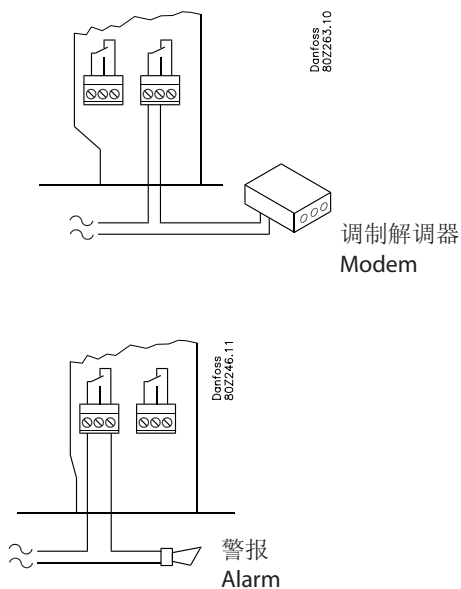


③



2,4,6,8,10,12,14,16,18,20,22,24,26,28,30,32 = GND

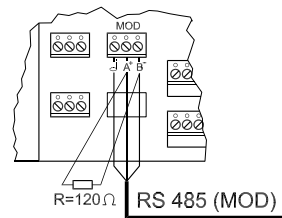
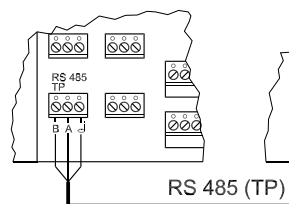
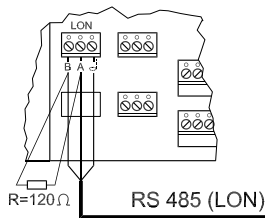
②



DIN 43864
S01 接口
仅.....输入 1 & 2
S01 interface
Only.....Input 1 & 2

④

参见用户手册: RS8EF...
See manual: RS8EF...

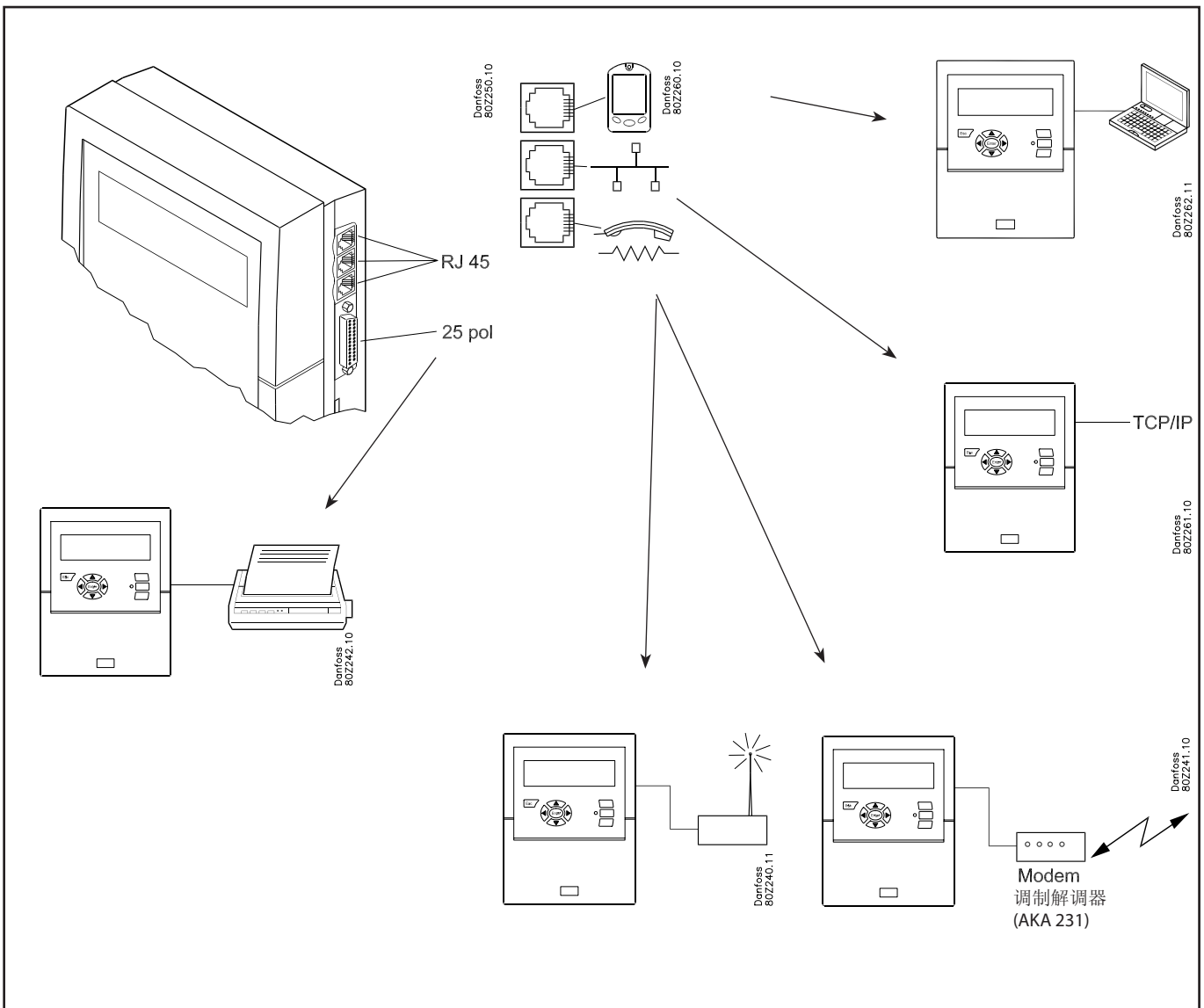


连线 / Connections

显示结 点	控制器地址 (0=AK-SM 350) (1-200, + 视图 1-4) (m2+: 1-7, & m2+输入) (GD: 1-65)	输入 (1-16) (1-4) (1-16)	种类 (温度/ “开/关”/ 脉冲/U/I)	名称
Display point	Controller address (0=AK-SM 350) (1-200, + view 1-4) (m2+: 1-7, & m2+input) (GD: 1-65)	Input (1-16) (1-4) (1-16)	Type (Temp./“ON/ OFF”/ Pulse/ U/I)	Name
1				
2				
3				
4				
5				
6				
7				
8				
9				
10				
11				
12				
13				
14				
15				
16				
17				
18				
19				
20				
21				
22				
23				
24				
25				
26				
27				
28				
29				
30				
31				

32				
33				
34				
35				
36				
37				
38				
39				
40				
41				
42				
43				
44				
45				
46				
47				
48				
49				
50				
51				
52				
53				
54				
55				
56				
57				
58				
59				
60				
61				
62				
63				
64				
65				

配置: 参见用户手册: RS8EF...
Configuration: See manual: RS8EF...



参见用户手册: RS8EF...
See manual: RS8EF...

信息 / Info:			
调制解调器 / Modem	AKA 231	内含接线 / Cable enclosed	
PDA	软件 / Software =AK-ST 500	接线 / Cable	080Z0261
PC	软件 / Software =AK-ST 500	接线 / Cable	080Z0262

