

Fig. 1

Danfoss
27B226,11.60

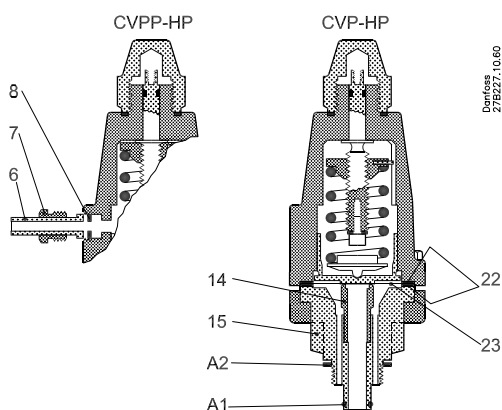


Fig. 2

Danfoss
27B227,10.60

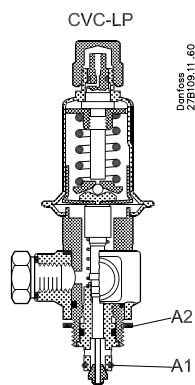


Fig. 3

Danfoss
27B109,11.60

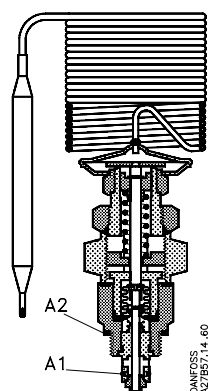


Fig. 4

DANFOSS
A27B57,14.60

Description	Qty	Code no.
CVP (LP) (low pressure) pressure controlled		
Seal kit, fig. 1		027F0666
Pos. A1 O-ring	1	
A2 Gasket	1	
CVPP (LP) (low pressure) differential pressure controlled		
Seal kit, fig. 1		027F0666
Pos. A1 O-ring	1	
A2 Gasket	1	
Connection kit, fig. 1		027B0120
Pos. 6 Nipple	1	
7 Connector	1	
8 Alu gasket	1	
CVP (HP) (high pressure) pressure controlled		
Seal kit, fig. 2		027F0666
Pos. A1 O-ring	1	
A2 Gasket	1	
CVPP (HP) (high pressure) differential pressure controlled		
Seal kit, fig. 2		027F0666
Pos. A1 O-ring	1	
A2 Gasket	1	
Connection kit, fig. 2		027B0120
Pos. 6 Nipple	1	
7 Connector	1	
8 Alu gasket	1	
CVC pressure controlled; with signal connector		
Seal kit, fig. 3		027F0666
Pos. A1 O-ring	1	
A2 Gasket	1	
Accessory Handwheel for adjustment	1	027B0039
CVT temperature controlled		
Seal kit, fig. 4		027F0666
Pos. A1 O-ring	1	
A2 Gasket	1	

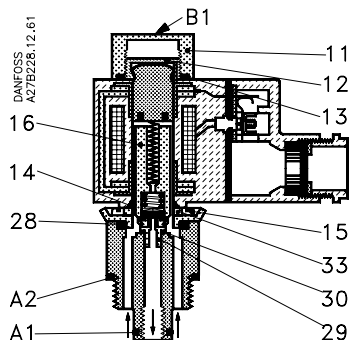


Fig. 1, EVM (NC) with flange connection of armature tube, previous design

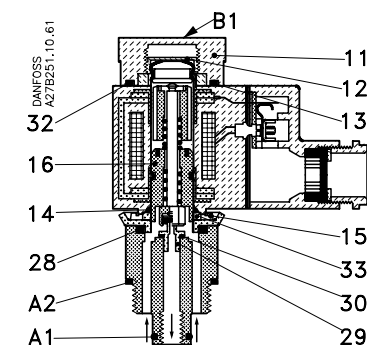


Fig. 2, EVM, (NO) with flange connection of armature tube, previous design

Description	Qty	Code no.
EVM (NC), fig. 1		
Service kit		032F0201
Pos. 11 Nut	1	
12 Snap fastener	1	
13 O-ring	1	
14 O-ring	1	
15 Screw	4	
16 NC armature assembly, teflon	1	
28 Rubber gasket	1	
29 Orifice	1	
30 Alu gasket	1	
A1 O-ring	1	
A2 Gasket	1	
EVM (NO), fig. 2		
Service kit		032F0199
Pos. 11 Nut	1	
12 Snap fastener	1	
13 O-ring	1	
14 O-ring	1	
15 Screw	4	
16 NO armature assembly, teflon	1	
28 Rubber gasket	1	
29 Orifice	1	
30 Alu gasket	1	
32 Spacer	1	
33 Spacer ring	1	
A1 O-ring	1	
A2 Gasket	1	
EVM (NC), fig. 1		
Seal kit		018Z0093
Pos. 11 Nut	1	
12 Snap fastener	1	
13 O-ring	1	
14 O-ring	1	
B1 Label	1	
EVM (NC/NO), fig. 1 and 2		
Seal kit		032F0209
Pos. 13 O-ring	1	
14 O-ring	1	
28 Rubber gasket	1	
30 Alu gasket	1	
A1 O-ring	1	
A2 Gasket	1	
EVM (NC/NO), fig. 1 and 2		
Seal kit		027F0666
Pos. A1 O-ring	1	
A2 Gasket	1	

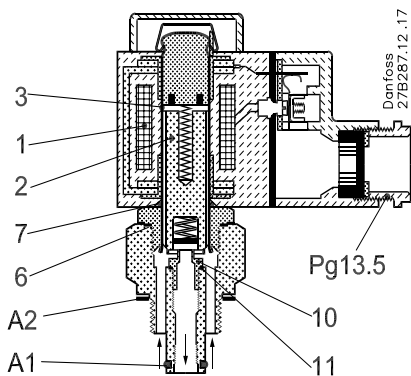


Fig. 1,
EVM (NC) with plug-in connection of armature tube

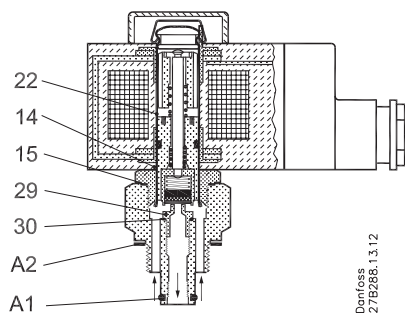


Fig. 2,
EVM (NO) with plug-in connection of armature tube

Description	Qty	Code no.
EVM (NC), fig. 1		
Service kit		032F1116
Pos. 2 Armature assembly, teflon	1	
6 Alu gasket	1	
7 O-ring	1	
10 Orifice	1	
11 Alu gasket	1	
A1 O-ring	1	
A2 Gasket	1	
EVM (NO), fig. 2		
Service kit		032F1117
Pos. 14 O-ring	1	
15 Alu gasket	1	
22 NO armature unit	1	
29 Orifice	1	
30 Alu gasket	1	
A1 O-ring	1	
A2 Gasket	1	
EVM (NC/NO), fig. 1 and 2		
Seal kit		032F0209
Pos. 14 O-ring	1	
15 Alu gasket	1	
30 Alu gasket	1	
A1 O-ring	1	
A2 Gasket	1	
EVM (NC/NO), fig. 1 and 2		
Seal kit		027F0666
Pos. A1 O-ring	1	
A2 Gasket	1	