

Product category information

TUB/TUBE



TUB/TUBE stainless steel thermostatic expansion valves are used for liquid injection into evaporators on both refrigeration and air conditioning systems using fluorinated refrigerants. TUB/TUBE valves are compact in design, light weight and have steel / copper bi-metal connections for fast soldering. TUB/TUBE have a fixed orifice and adjustable superheat.

TUB/TUBE, angleway, R134a

Temperature range -40 - 10°C.
Max. working pressure 34.0 bar.
The rated capacity is based on:
Evaporating temperature $t_e = +5^\circ\text{C}$
Condensing temperature $t_c = +32^\circ\text{C}$
Refrigerant liquid temperature $t_l = +28^\circ\text{C}$
Opening superheat OS = 4 K

External equalization connection size, TUBE versions with mm-connections: 6 mm, versions with in.-connections: 1/4 in.

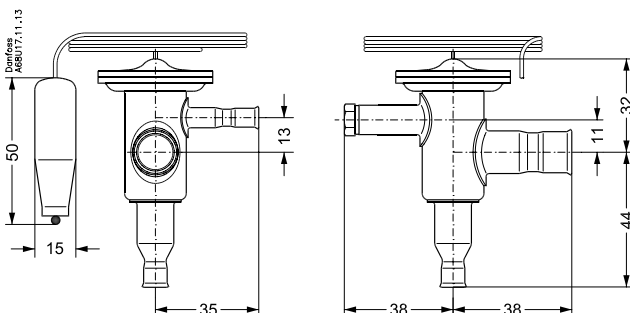
Features

- Made of stainless steel.
- Available in angleway and straightway versions.
- Especially suitable for refrigeration systems in the food industry.
- Adjustable superheat.
- Bi-metal connections: removes the need to 'wet rag' braze.
- Available with MOP (Max. Operating Pressure).
- Biflow function (orifice 1 - 8).
- Fast and easy to install.
- Good temperature transfer from pipe to bulb.
- Filter with high dirt retention capacity.

Technical data

Characteristic	Value
Max. test pressure (excl. R410A) [bar]	37,5 bar
Max. test pressure (R410A) [bar]	47 bar
Max. valve body temperature [°C]	120 °C
Max. valve body temperature, short-lived peak [°C]	150 °C
Max. working pressure (excl. R410A) [bar]	34 bar
Max. working pressure (R410A) [bar]	42,5bar

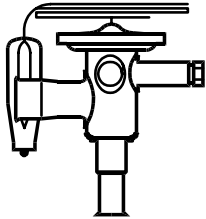
Dimensions



Code number information

Data Sheet

Code no.: 068U2002



Characteristic	Value
Type	TUB
Direction	Angleway
Inlet size [mm]	6 mm
Outlet size [mm]	12 mm
Capillary tube length [mm]	800 mm
Capillary tube length [Ft]	2,5 ft
Refrigerants	R134a
Temperature range [°C]	-40 - 10 °C
Temperature range [°F]	-40 - 50 °F
Orifice size	3
Orifice capacities [KW]	1,40 kW
Orifice capacities [TR]	0,39 TR
Static Superheat (SS) [°C]	5,0
Static Superheat (SS) [°F]	9,00 °F
Max. Working Pressure [bar] ef	34,0 bar
Max. Working Pressure [psig]	500 psig
Packing format	Multi pack
Quantity per packing format	24 pc

Capacity in kW for range N (-40 - +10°C) and opening superheat OS = 4 K

Δp [bar]	2	4	6	8	10	12	14	16
te [C]								
10	1,1	1,4	1,6	1,7	1,8	1,8		
0	0,92	1,2	1,3	1,4	1,4	1,4		
-10	0,71	0,89	0,98	1	1,1	1,1		
-20		0,65	0,72	0,75	0,76	0,76		
-30		0,46	0,5	0,52	0,53	0,52		
-40		0,31	0,34	0,35	0,35	0,35		

Correction factors for subcooling Δtsub

	4	10	15	20	25	30	35	40	45	50
R134a	1	1,08	1,13	1,19	1,25	1,31	1,37	1,42	1,48	1,54