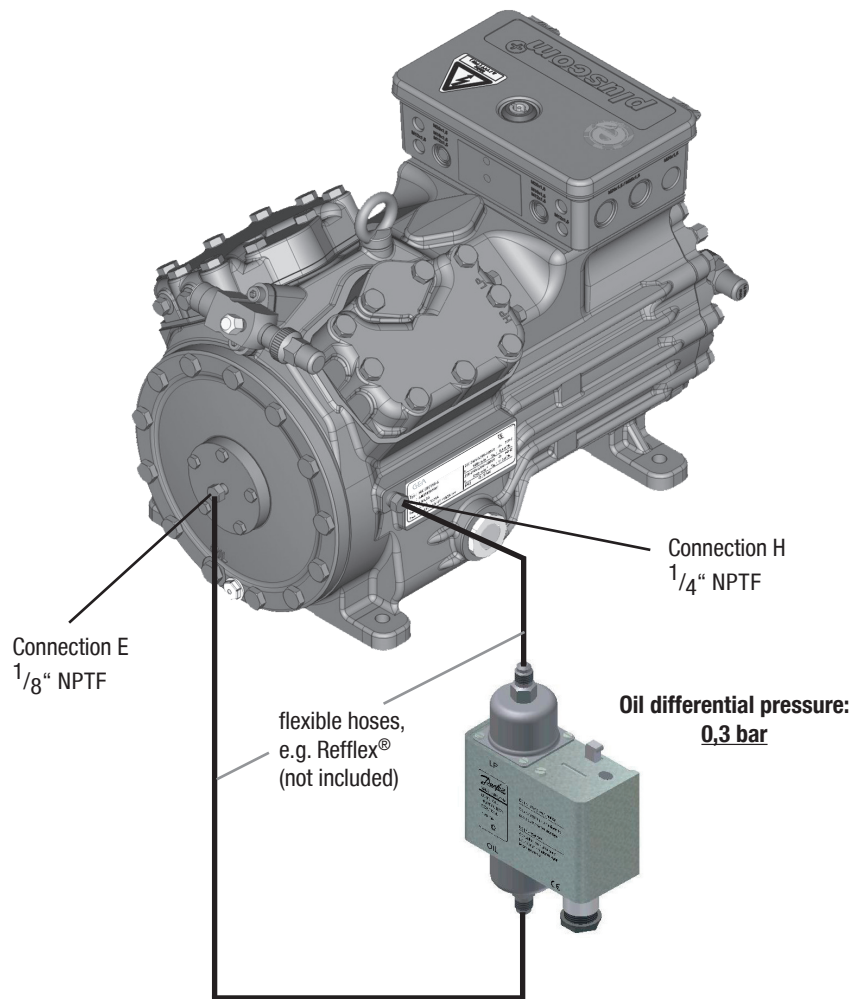




SAFETY INSTRUCTIONS

Caution! Refrigerating compressors are pressurised machines and therefore require particularly careful and meticulous handling.

- Only qualified staff are allowed to perform repairs.
- National safety regulations, accident prevention regulations, technical rules and other valid specifications must be observed.
- The compressor may only be operated in refrigerating systems, and only with refrigerants approved by GEA Bock.
- The maximum tolerable operating overpressure may not be exceeded (not even for test purposes).
- Pressure switches are required to safeguard the machine from excess pressures.
- New compressors are provided with an overpressure filling ex works (inert gas, approx. 3 bar nitrogen). Before connecting up the refrigerating system, the pressure in the compressor must be relieved.
- Before starting the compressor, the discharge shut-off valve and suction shut-off valve are to be opened.
- Before starting up, check that all components mounted by the user have been properly mounted and are connected pressure-tight with the compressor (e.g. replaced parts, etc.).
- When starting up, do not start the compressor in a vacuum. Only operate the compressor when the whole system has been filled.
- Surface temperatures of more than 60°C are possible on the pressure side respectively under 0°C on the suction side, depending on the operating conditions.





Installation Guide

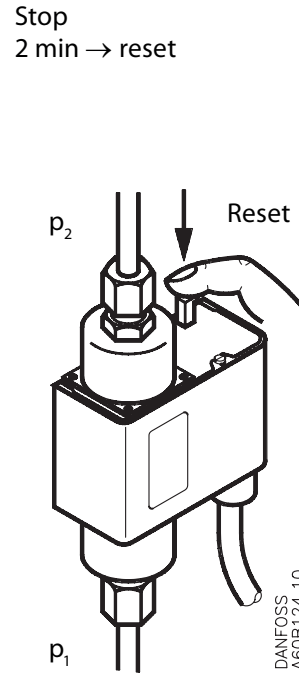
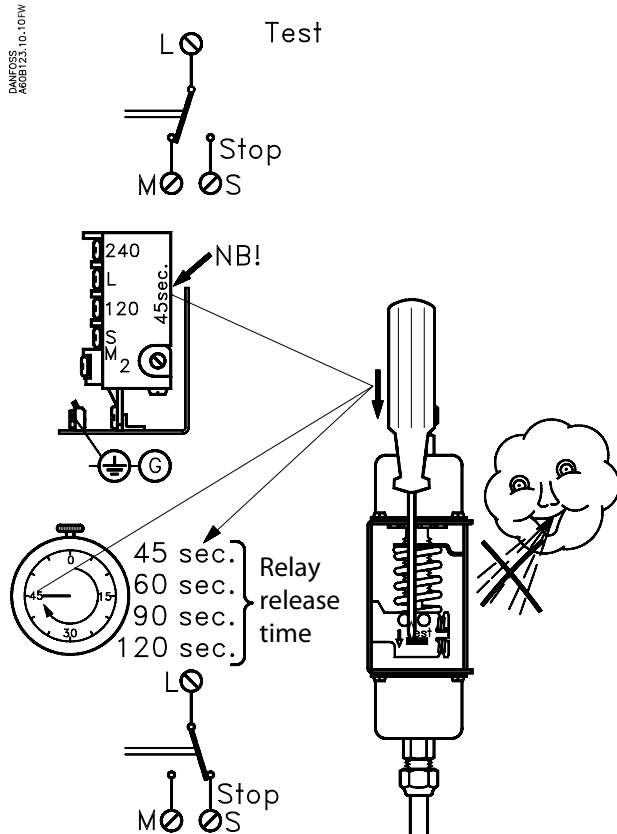
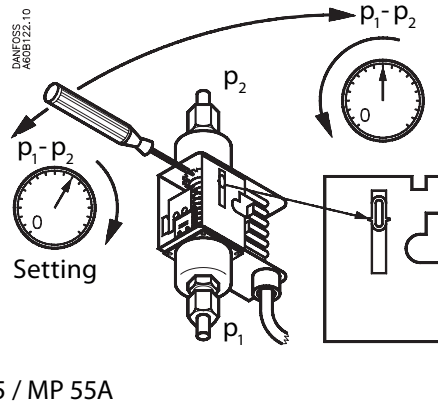
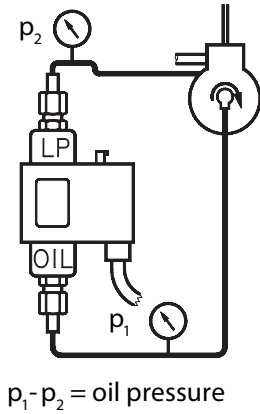
Differential Pressure Control

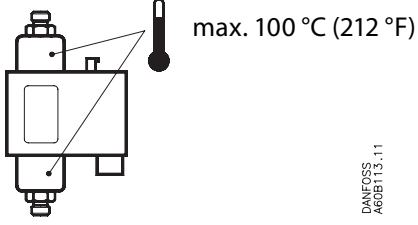
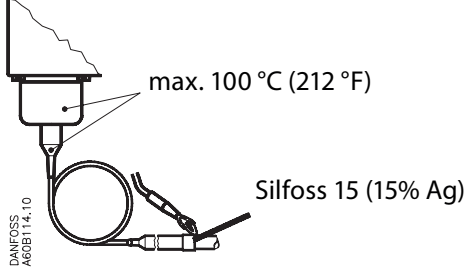
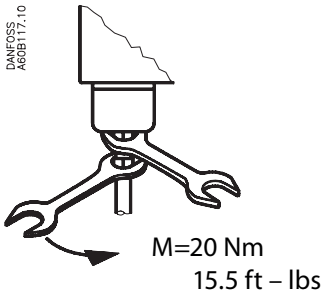
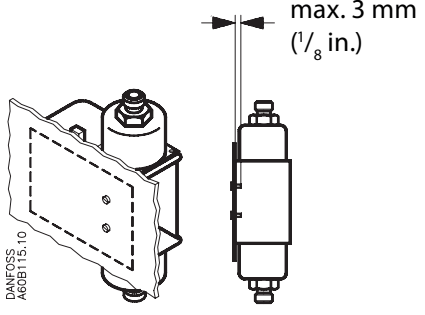
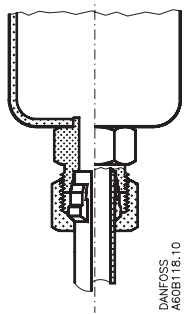
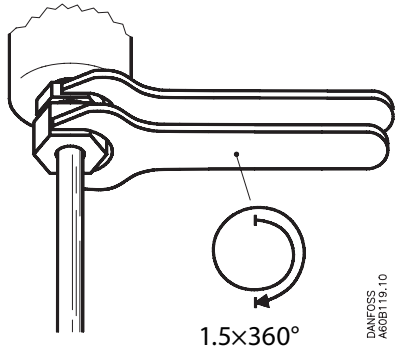
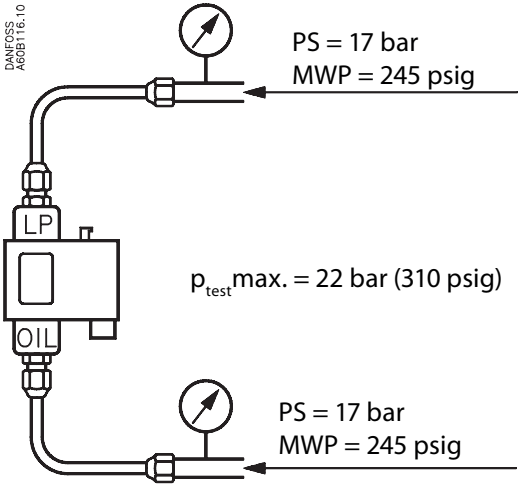
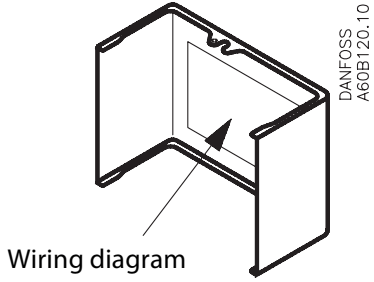
Types MP 54, MP 55, MP 55A

Refrigerants

MP 54, MP 55: HCFC and non-flammable HFC

MP 55A: R 717, HCFC and non-flammable HFC



 <p>max. 100 °C (212 °F)</p> <p>DANFOSS A60B113.11</p>	 <p>max. 100 °C (212 °F)</p> <p>Silfoss 15 (15% Ag)</p> <p>DANFOSS A60B114.10</p>
 <p>DANFOSS A60B117.10</p> <p>M=20 Nm 15.5 ft – lbs</p>	 <p>max. 3 mm (1/8 in.)</p> <p>DANFOSS A60B115.10</p>
 <p>DANFOSS A60B116.10</p>	 <p>1.5x360°</p> <p>DANFOSS A60B118.10</p>
 <p>DANFOSS A60B116.10</p> <p>PS = 17 bar MWP = 245 psig</p> <p>LP</p> <p>OIL</p> <p>$p_{test} \text{ max.} = 22 \text{ bar (310 psig)}$</p> <p>PS = 17 bar MWP = 245 psig</p>	 <p>Wiring diagram</p> <p>DANFOSS A60B120.10</p>



We live our values.

Excellence • Passion • Integrity • Responsibility • GEA-versity

GEA Group is a global engineering company with multi-billion euro sales and operations in more than 50 countries. Founded in 1881, the company is one of the largest providers of innovative equipment and process technology. GEA Group is listed in the STOXX® Europe 600 index.

GEA Refrigeration Technologies

GEA Bock GmbH

Benzstraße 7, 72636 Frickenhausen, Germany
Phone: +49 7022 9454-0, Fax: +49 7022 9454-137
refrigeration@gea.com, www.gea.com